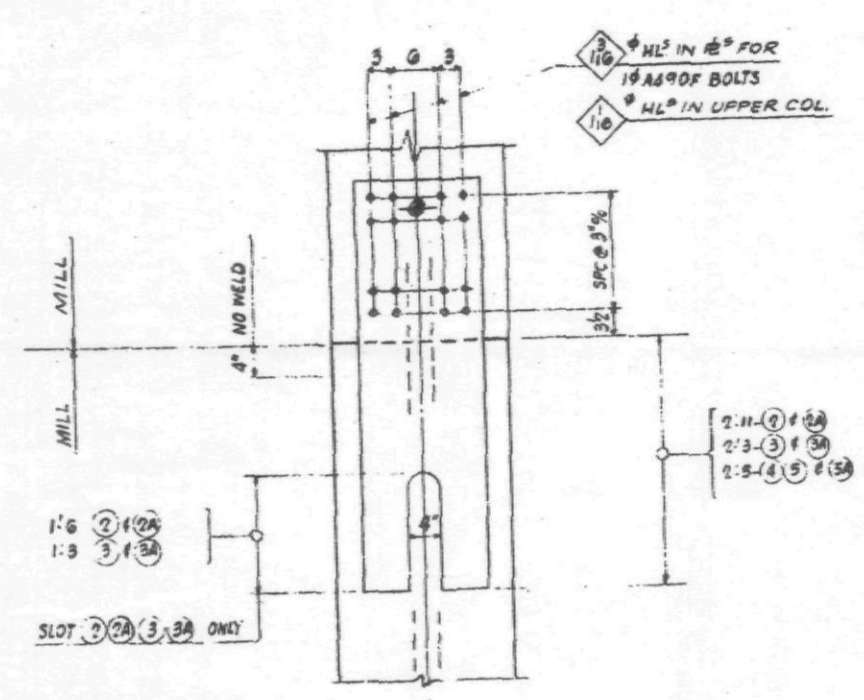


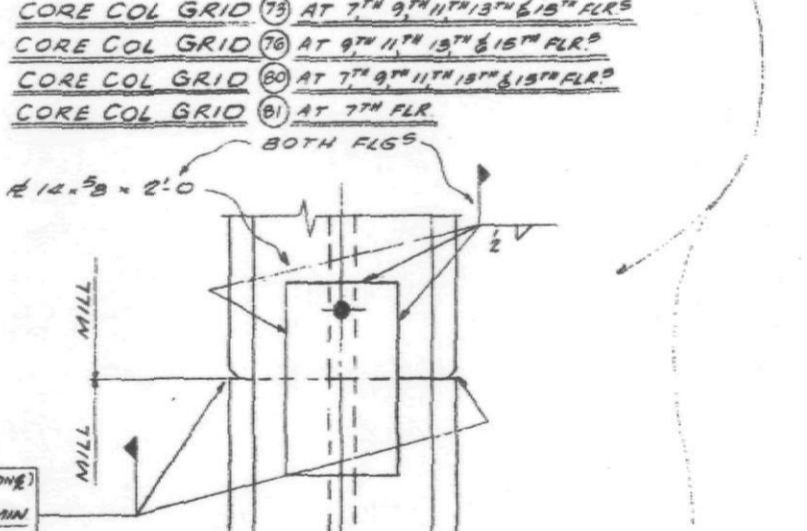
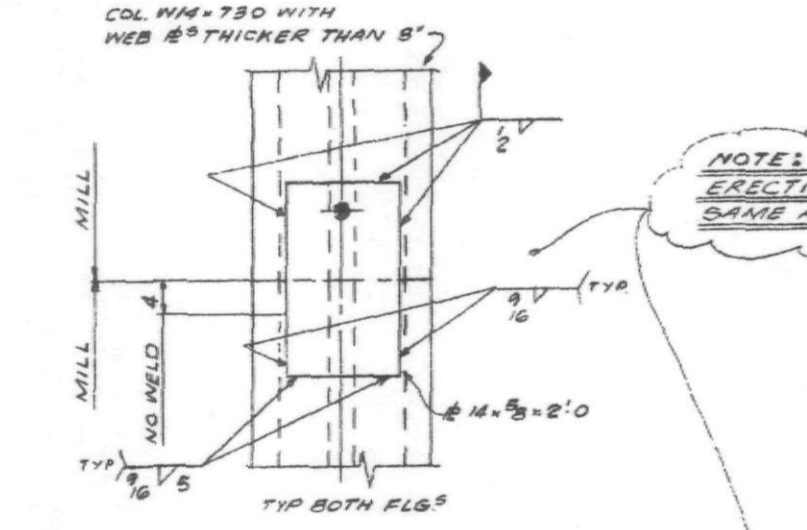
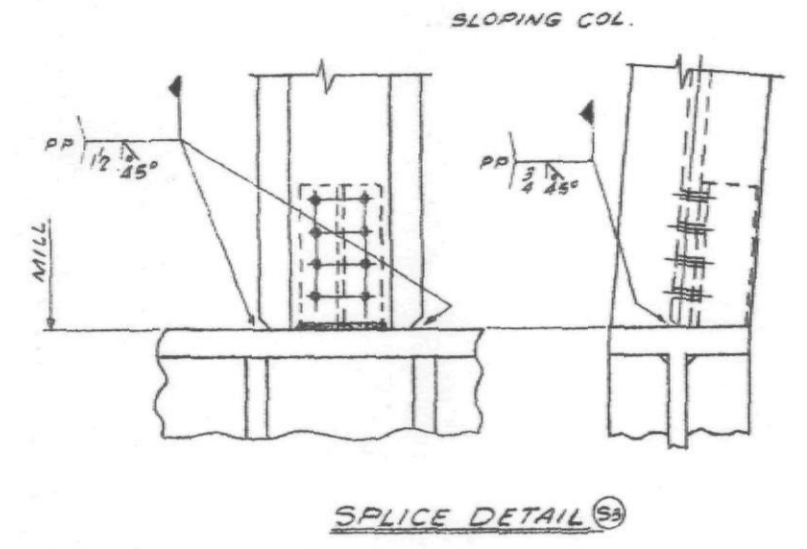
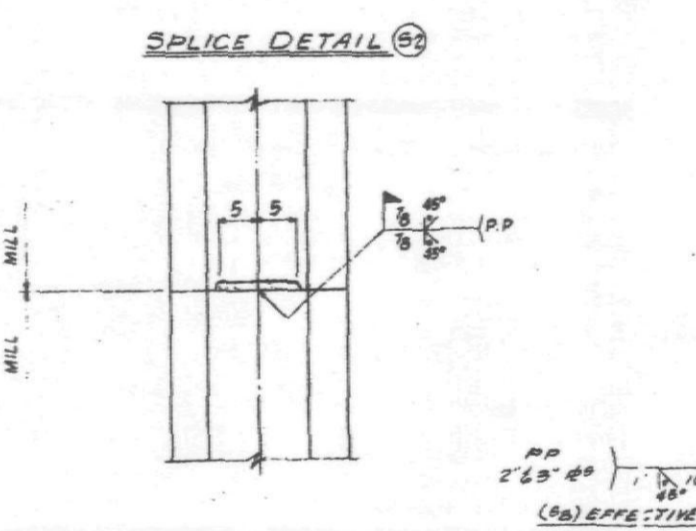
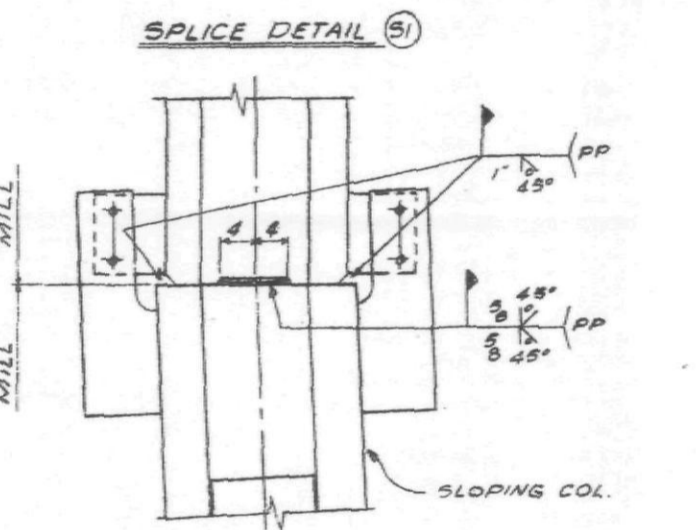
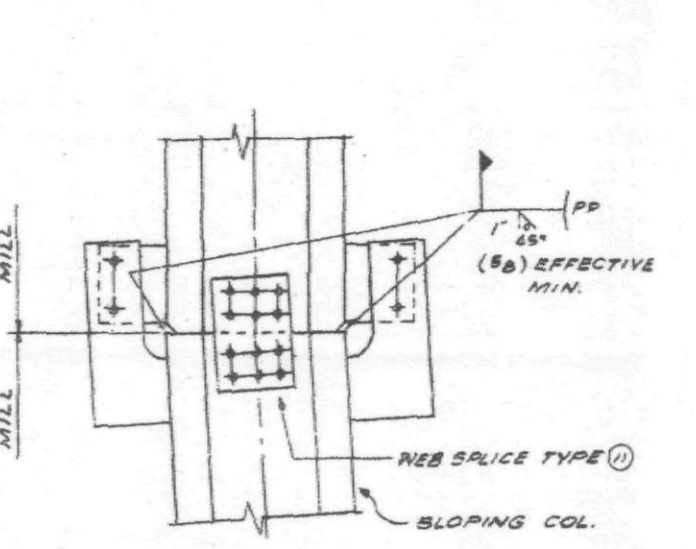
FLG SPICE DETAIL

TYPE (6) 12 BOLTS/FLG WELD $\frac{1}{2}$ " V 45° MIN. R-15 x 3/8 x 3-7/8 - A763 CAPACITY = 209K	TYPE (6A) 12 BOLTS/FLG WELD $\frac{3}{8}$ " V 39° MIN. R-15 x 3/8 x 3-1/2 - C763 CAPACITY = 179K
TYPE (7) 10 BOLTS/FLG WELD $\frac{3}{8}$ " V 33° MIN. R-15 x 3/8 x 2-7/8 - A763 CAPACITY = 169K (USE FOR 20)	
TYPE (8) 8 BOLTS/FLG WELD $\frac{3}{8}$ " V 25° MIN. R-15 x 3/8 x 2-1/2 - A763 CAPACITY = 120K	TYPE (8A) 8 BOLTS/FLG WELD $\frac{3}{8}$ " V 25° MIN. R-15 x 3/8 x 2-1/2 - A763 CAPACITY = 120K

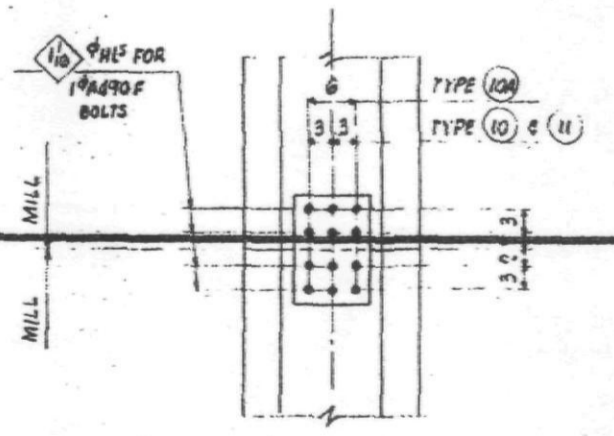


FLG SPICE DETAIL

TYPE (2) 40 BOLTS/FLG WELD $\frac{3}{8}$ " V 105° MIN. R-15 x 3/8 x 5-7/8 - S763 CAPACITY = 596K	TYPE (2A) 36 BOLTS/FLG WELD $\frac{3}{8}$ " V 95° MIN. R-15 x 3/8 x 5-1/2 - P763 CAPACITY = 536K
TYPE (3) 32 BOLTS/FLG WELD $\frac{3}{8}$ " V 57° MIN. R-15 x 3/8 x 4-5/8 - W763 CAPACITY = 477K	TYPE (3A) 28 BOLTS/FLG WELD $\frac{3}{8}$ " V 72° MIN. R-15 x 3/8 x 4-1/2 - W763 CAPACITY = 417K
TYPE (4) 24 BOLTS/FLG WELD $\frac{3}{8}$ " V 65° MIN. R-15 x 3/8 x 4-1/2 - W763 CAPACITY = 358K	
TYPE (5) 20 BOLTS/FLG WELD $\frac{3}{8}$ " V 55° MIN. R-15 x 3/8 x 3-7/8 - W763 CAPACITY = 298K	TYPE (5A) 16 BOLTS/FLG WELD $\frac{3}{8}$ " V 50° MIN. R-15 x 3/8 x 3-7/8 - W763 CAPACITY = 238K

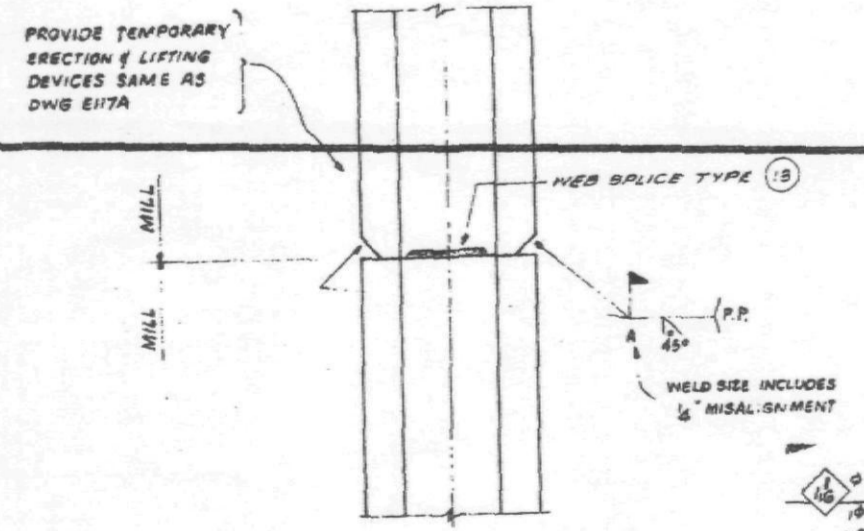


NOTE: PROVIDE TEMPORARY ERECTION & LIFTING DEVICES SAME AS DWG E117A



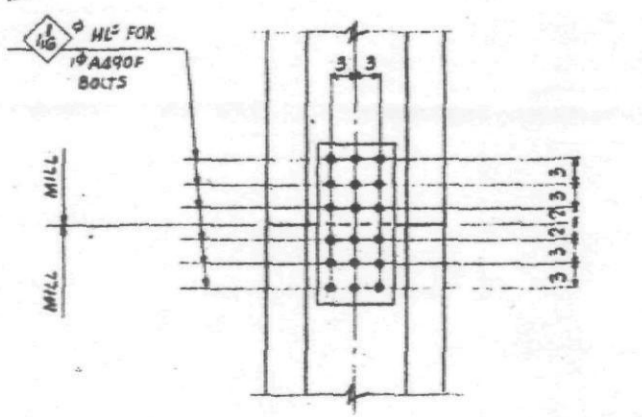
WEB SPICE DETAIL

TYPE (10) 12 BOLTS 1-R-10 x 3/8 x 1-2 - A764 CAPACITY = 60K	TYPE (10A) 8 BOLTS 2-R-10 x 3/8 x 1-2 - B764 CAPACITY = 40K
TYPE (11) 12 BOLTS 2-R-10 x 3/8 x 1-2 - B764 CAPACITY = 120K	



WEB SPICE DETAIL

TYPE (13) CAPACITY = 600K

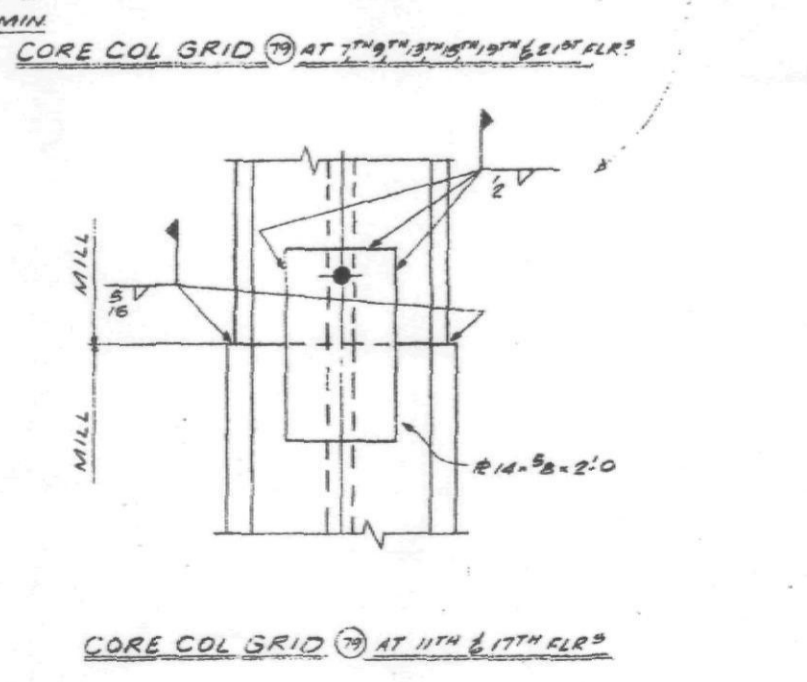


WEB SPICE DETAIL

TYPE (C) 16 BOLTS C-R-10 x 3/8 x 1.1.8 - C764 CAPACITY = 150K

COL-FLG SPICE - TYPE I

FLOOR	COL #	SIZE	WELD A
7TH	15	WM-780	3/8
	26		3/8
	42		3/8
9TH	1		3/8
	28		3/8
	42		3/8
11TH	1		3/8
	28		3/8
	42		3/8



CORE COL GRID (7) AT 11TH & 11TH FLS

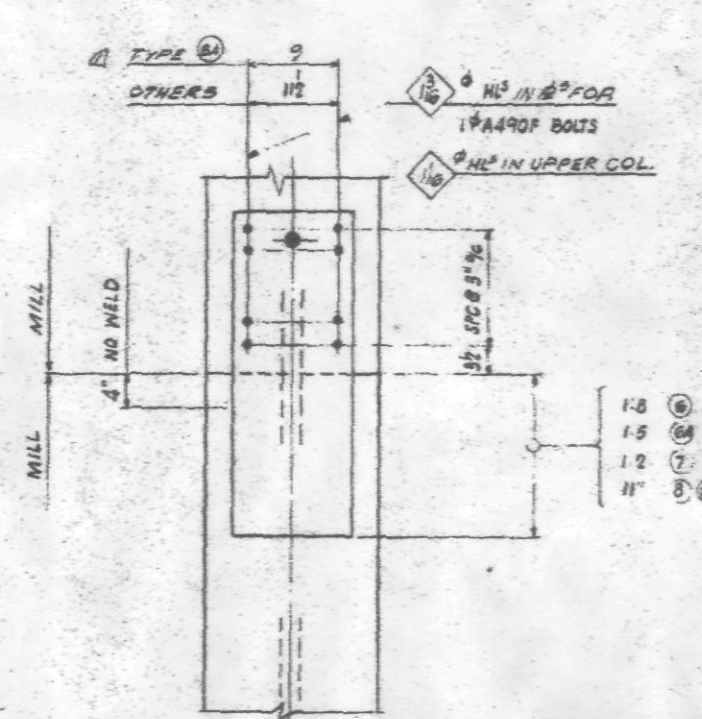
COLS - A56 MAT. 1/4" ON COL SCHEDULE
DETAIL MATL - S40 1/2 (A4W)
WELDS - E70 SERIES ELECTRODES

FRANKEL STEEL LIMITED
235 ATWELL DRIVE UNIT 1, REXDALE, ONTARIO M9P 2E2

DATE BY DWG HOLES
DATE BY PART
DATE BY CHECKED BY
DATE BY FIELD PART
DATE BY 3M

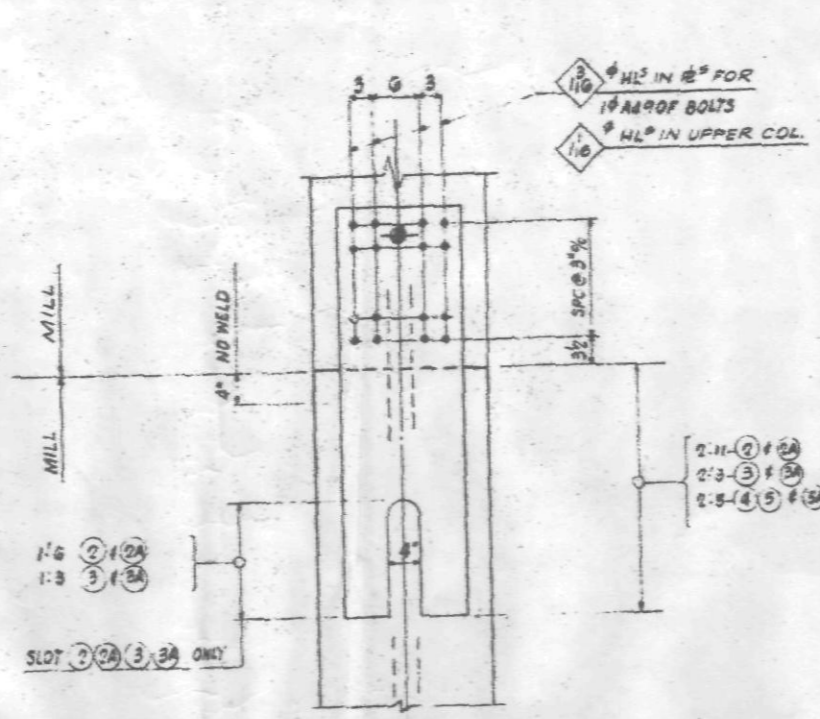
WORLD TRADE CENTRE
TIDMAN CONSTRUCTION
REISLEY BATH & SONS P.C.
LEVIN G. CANTOR P.C.

PROJECT NO. 84-15
SHEET E118A



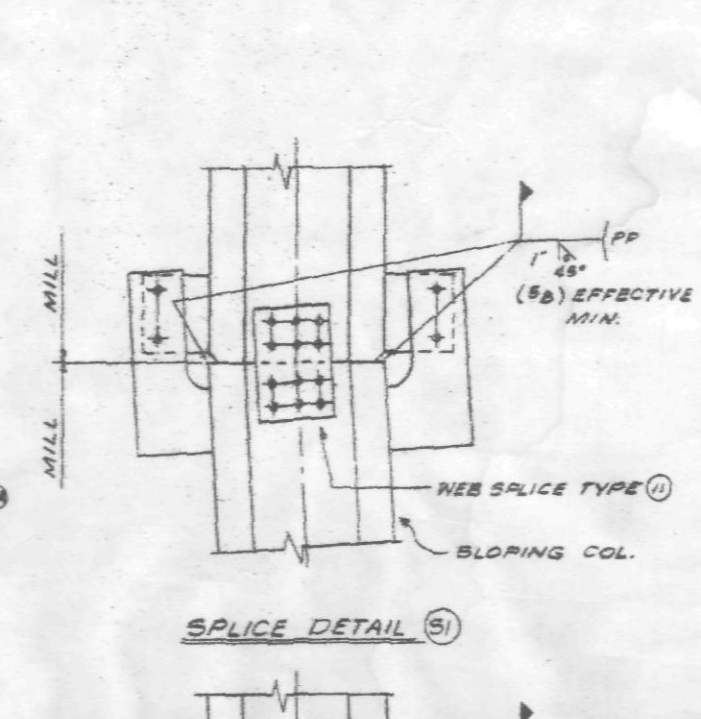
FLG SPlice DETAIL

TYPE (1) 12 BOLTS / 1/2 WELD 5/16 V 30° MIN. @ 15" x 3" x 2 1/2" - A763 CAPACITY = 209K	TYPE (2) 12 BOLTS / 1/2 WELD 5/16 V 30° MIN. @ 15" x 3" x 3 1/2" - C763 CAPACITY = 179K
TYPE (3) 10 BOLTS / 1/2 WELD 5/16 V 30° MIN. @ 15" x 3" x 2 1/2" - B763 CAPACITY = 189K (USE FOR 20%)	TYPE (4) 8 BOLTS / 1/2 WELD 5/16 V 30° MIN. @ 15" x 3" x 2 1/2" - A763 CAPACITY = 120K



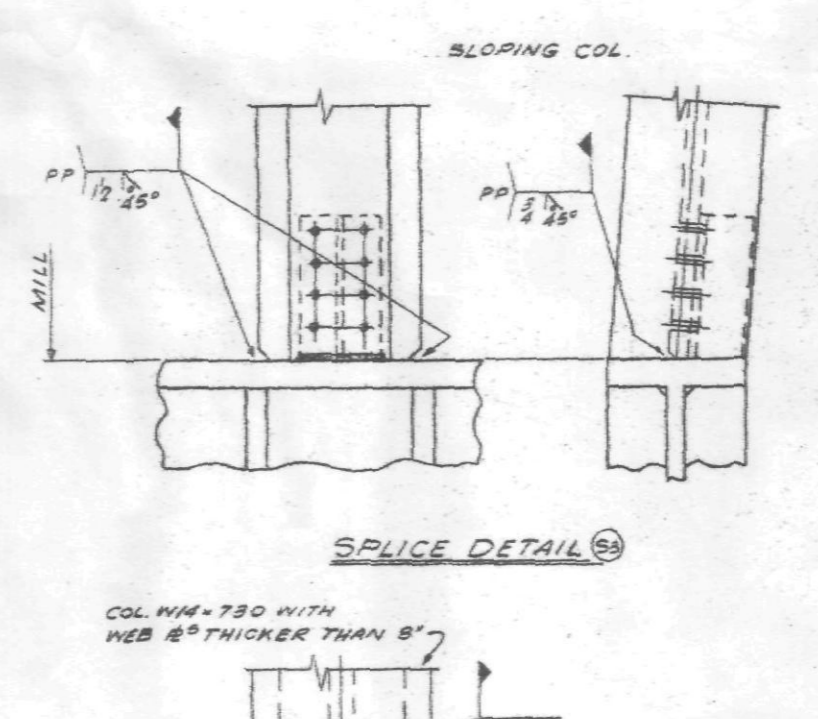
FLG SPlice DETAIL

TYPE (5) 24 BOLTS / 1/2 WELD 5/16 V 30° MIN. @ 15" x 3" x 5 1/2" - B763 CAPACITY = 589K	TYPE (6) 24 BOLTS / 1/2 WELD 5/16 V 30° MIN. @ 15" x 3" x 5 1/2" - F763 CAPACITY = 536K
TYPE (7) 20 BOLTS / 1/2 WELD 5/16 V 30° MIN. @ 15" x 3" x 4 1/2" - A763 CAPACITY = 477K	TYPE (8) 20 BOLTS / 1/2 WELD 5/16 V 30° MIN. @ 15" x 3" x 4 1/2" - B763 CAPACITY = 417K
TYPE (9) 24 BOLTS / 1/2 WELD 5/16 V 30° MIN. @ 15" x 3" x 4 1/2" - A763 CAPACITY = 558K	TYPE (10) 10 BOLTS / 1/2 WELD 5/16 V 30° MIN. @ 15" x 3" x 5 1/2" - C763 CAPACITY = 238K



WEB SPlice DETAIL

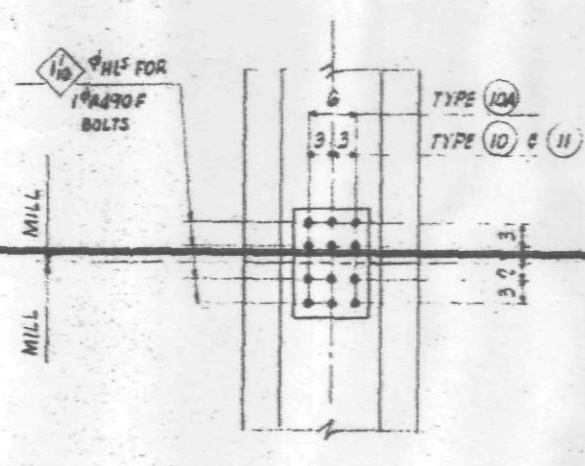
TYPE (11) 10 BOLTS / 1/2 WELD 5/16 V 30° MIN. @ 15" x 3" x 2 1/2" - A763 CAPACITY = 60K	TYPE (12) 8 BOLTS / 1/2 WELD 5/16 V 30° MIN. @ 15" x 3" x 2 1/2" - B763 CAPACITY = 90K
TYPE (13) 10 BOLTS / 1/2 WELD 5/16 V 30° MIN. @ 15" x 3" x 1 1/2" - A763 CAPACITY = 120K	



WEB SPlice DETAIL

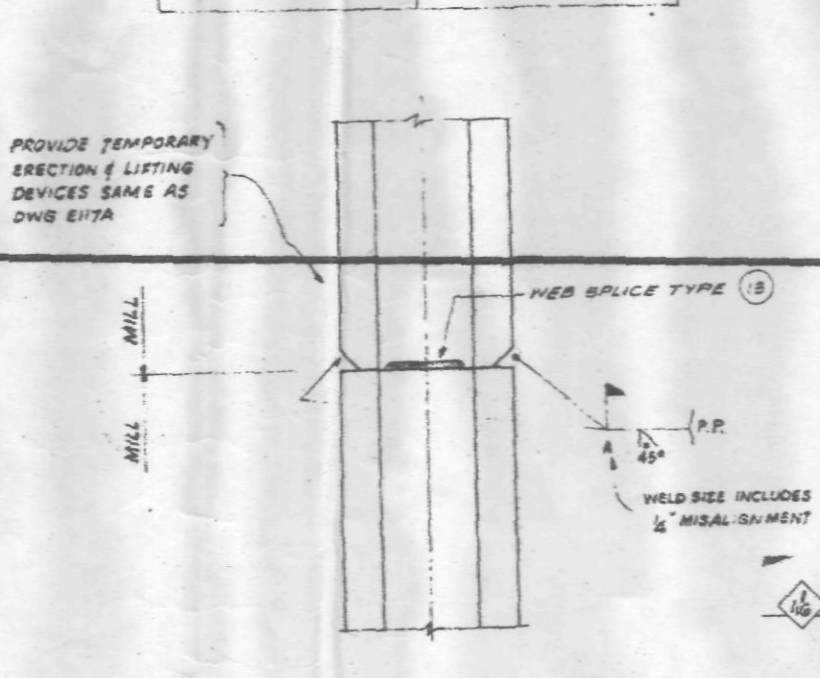
TYPE (14) 10 BOLTS / 1/2 WELD 5/16 V 30° MIN. @ 15" x 3" x 2 1/2" - A763 CAPACITY = 60K	TYPE (15) 8 BOLTS / 1/2 WELD 5/16 V 30° MIN. @ 15" x 3" x 2 1/2" - B763 CAPACITY = 90K
TYPE (16) 10 BOLTS / 1/2 WELD 5/16 V 30° MIN. @ 15" x 3" x 1 1/2" - A763 CAPACITY = 120K	

NOTE: PROVIDE TEMPORARY ERECTION & LIFTING DEVICES SAME AS ONG EHTA



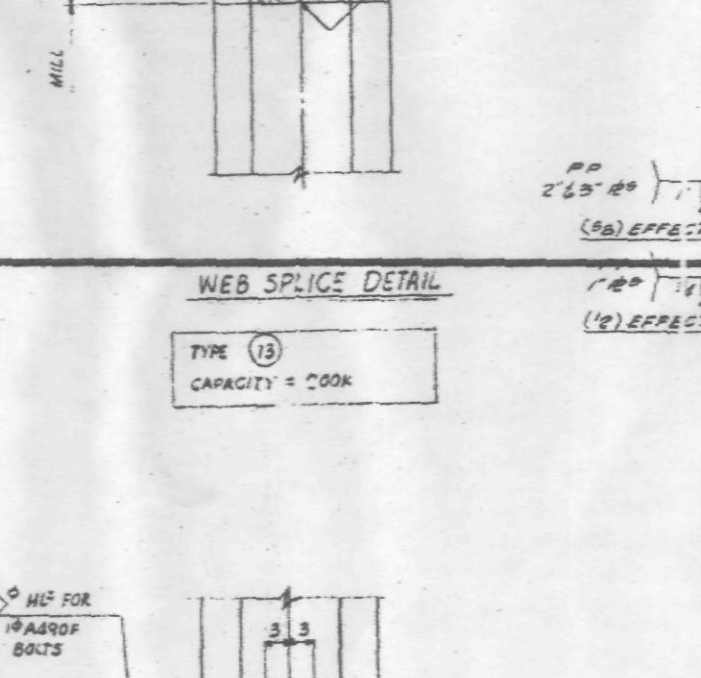
WEB SPlice DETAIL

TYPE (17) 10 BOLTS / 1/2 WELD 5/16 V 30° MIN. @ 15" x 3" x 2 1/2" - A763 CAPACITY = 60K	TYPE (18) 8 BOLTS / 1/2 WELD 5/16 V 30° MIN. @ 15" x 3" x 2 1/2" - B763 CAPACITY = 90K
TYPE (19) 10 BOLTS / 1/2 WELD 5/16 V 30° MIN. @ 15" x 3" x 1 1/2" - A763 CAPACITY = 120K	



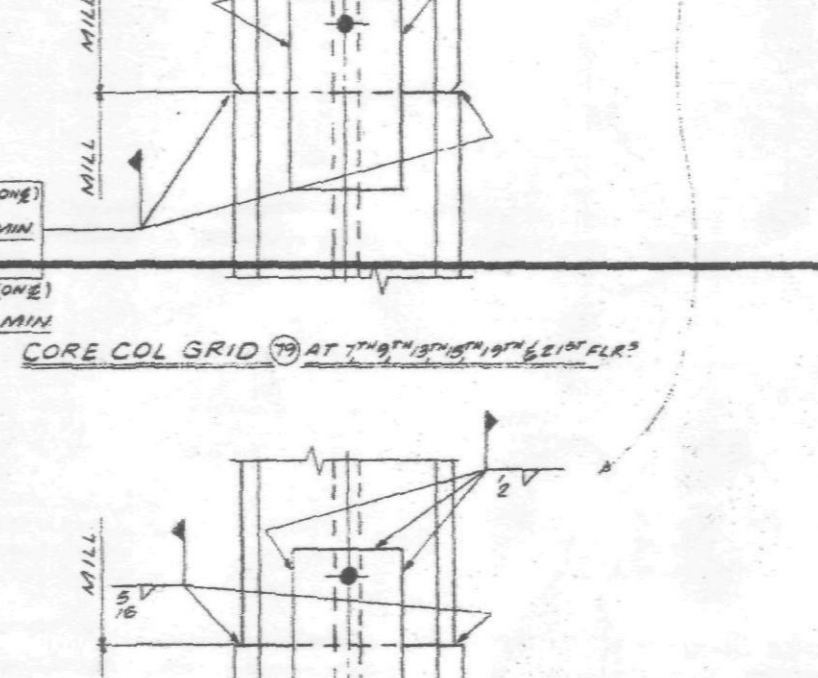
COL. FLG SPlice - TYPE 1

FLOOR	COL #	SIZE	WELD A
7TH	1	W14x70	3/8
	2		3/8
	3		3/8
9TH	1	42	3/8
	2		3/8
	3		3/8
11TH	1	42	3/8
	2		3/8
	3		3/8



WEB SPlice DETAIL

TYPE (20) 10 BOLTS / 1/2 WELD 5/16 V 30° MIN. @ 15" x 3" x 2 1/2" - A763 CAPACITY = 159K
--



COL. FLG SPlice - TYPE 1

FLOOR	COL #	SIZE	WELD A
7TH	1	W14x70	3/8
	2		3/8
	3		3/8
9TH	1	42	3/8
	2		3/8
	3		3/8
11TH	1	42	3/8
	2		3/8
	3		3/8

COL - A36 MAT. 1/4" ON COL SCHEDULE
DETAIL MAT - 3/16" (44W)
WELDS - E70 SERIES ELECTRODES

REVISIONS	DATE	BY	APPROVED	DATE	BY

FRANKEL STEEL LIMITED
7 WORLD TRADE CENTRE
JERSEY CITY, N.J. 07310
TEL: (201) 734-1000
FAX: (201) 734-1001
WWW: WWW.FRANKELSTEEL.COM